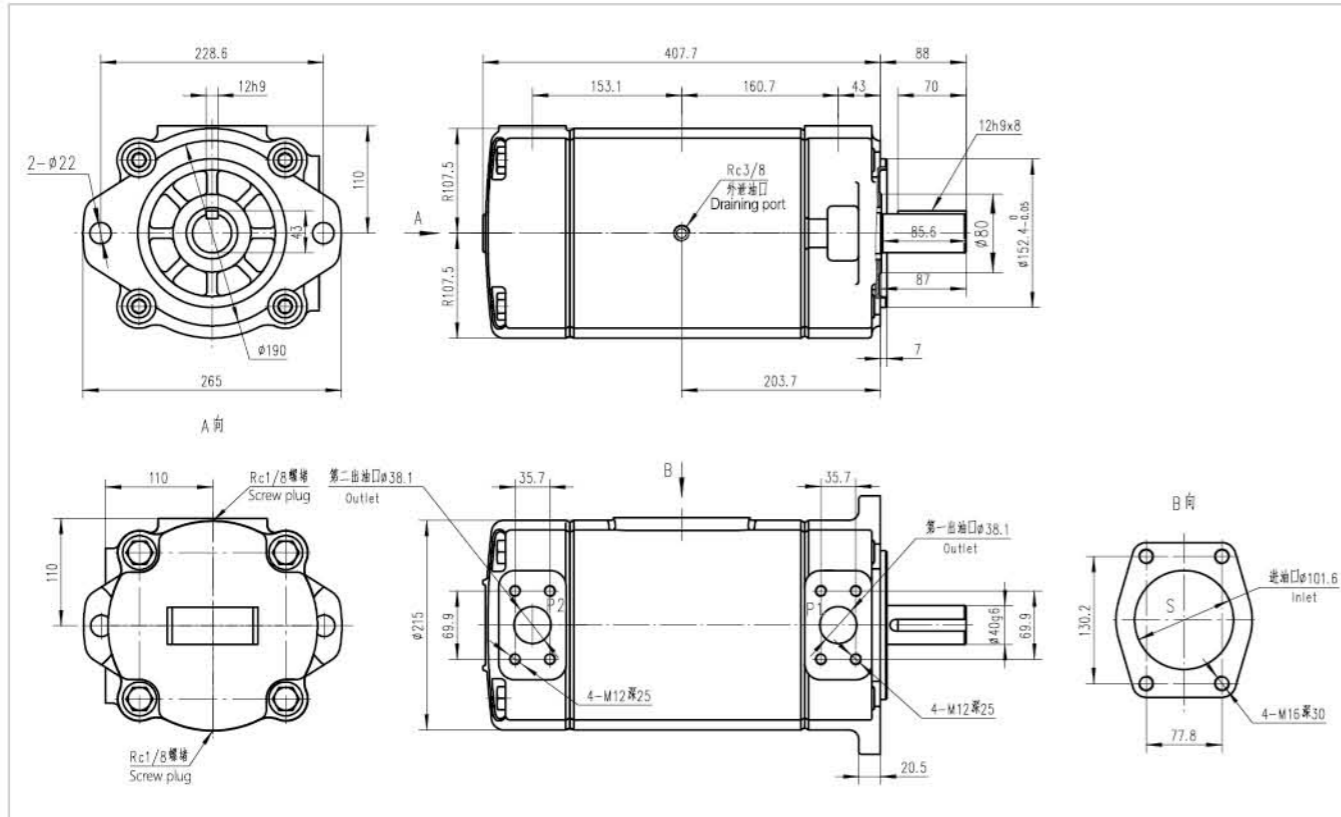
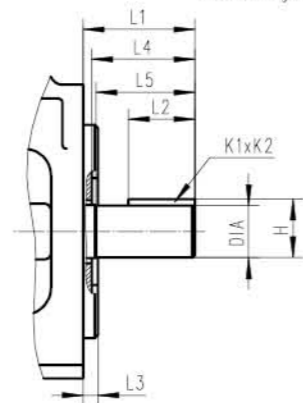


### ABT22T安装连接尺寸/ABT22T Installation Dimensions



### 轴伸形式/Shaft Type

平键轴 Straight key shaft



轴伸尺寸 / Shaft Dimensions

型号 Model	轴伸代号 Shaft code	L1	L2	L3	L4	L5	DIA	K1xK2	H
ABT1T	1	56	32	7.0	51.0	49.6	Φ25g6	8h9x7	28
	2	68	45	7.0	63.0	61.6	Φ25g6	8h9x7	28
ABT2T	2	88	70	7.0	87.0	85.6	Φ40g6	12h9x8	43
ABT3	1	88	70	7.0	87.0	85.6	Φ40g6	12h9x8	43
ABT11T	1	68	45	7.0	63.0	61.6	Φ25g6	8h9x8	28
ABT21T	1	88	70	7.0	87.0	85.6	Φ40g6	12h9x8	43
ABT22T	1	88	70	7.0	87.0	85.6	Φ40g6	12h9x8	43

## M 系列叶片马达 Series-vane Motor

适用于各种中高压液压系统，如渔船拖网机、船用锚机、绞车、工程机械等。  
Suitable for various medium and high pressure hydraulic systems, such as fishing boat trawlers, ship windlasses, winches, engineering machinery, etc.

### 主要特点为:

转速范围宽广，噪音小，可正、反转，动作灵敏。径向液压平衡，因而工作压力高，使用寿命长，并具有体积小、重量轻、结构简单、使用、维修方便等特点。

### The main features are:

The speed range is wide, the noise is low, it can be forward and reverse, and the action is sensitive. Radial hydraulic balance, so the working pressure is high, the service life is long, and it has the characteristics of small size, light weight, simple structure, convenient use and maintenance.



### 型号说明/Model Designation

25M		65		A		-11		C		20	
系列号 Series		排量ml/r Displacement		油口连接 Port connections		轴伸形式 Shaft type		出油口位置 Outlet positions		设计号 Design number	
标准轴承 Standard bearing	25M	重型轴承 Heavy-duty bearings	26M	42、55、65	SAE 2-螺栓安装法兰和 SAE 4-螺栓法兰连接  2-bolt mounting flange and 4-bolt flange connection	1-平键轴 Straight key shaft  11-花键轴 Spline shaft	(从泵的盖端看) (Viewed from cover end of pump) A-进油口对面 Opposite inlet B-从进油口逆时针90° 90° CCW from inlet C-进油口同侧 Inline with inlet D-从进油口顺时针90° 90° CW from inlet		20-29		
	35M		36M	80、95、115							
	45M	46M	130、155、185								
	50M	51M	220、255、300								

### 技术参数/Technical Data

系列号 Series	扭矩(Torque) Nm/6.9 bar (lb in/100 psi)	排量ml/r Displacement	在1200r/min下要求的流量输入 L/min (USgpm)	最高转速和压力. Mx.speed and pressure	重量 Weight kg (lb)	
25M	4.7(42)	43.9(2.68)	52.6(13.9)	3600r/min@34bar(500psi) † 4000r/min@34bar(500psi) ‡	18 (40)	
	6.2(55)	57.7(3.52)	69.3(18.3)			
	7.3(65)	68.7(4.19)	82.5(21.8)			
35M	9.0(80)	83.6(5.10)	100.3(26.5)		2600r/min@155bar(2250psi) † 3000r/min@172bar(2500psi) ‡	29 (64)
	10.7(95)	100.3(6.12)	120.4(31.8)			
	13.0(115)	121.9(7.44)	146.1(38.6)			
45M	14.7(130)	138.0(8.42)	165.4(43.7)	2800r/min@34bar(500psi) † 3200r/min@34bar(500psi) ‡ 2200r/min@155bar(2250psi) † 2400r/min@172bar(2500psi) ‡•		39 (85)
	17.5(155)	163.2(9.96)	195.7(51.7)			
	20.9(185)	193.2(11.79)	232.0(61.3)			
50M	24.9(220)	231.2(14.11)	277.5(73.3)		2800r/min@34bar(500psi) † 3200r/min@34bar(500psi) ‡ 2200r/min@155bar(2250psi) † 2400r/min@172bar(2500psi) ‡•	73 (160)
	28.8(255)	268.1(16.36)	321.8(85.0)			
	33.9(300)	317.1(19.35)	380.4(100.5)			

† 连续工作 continuously working

‡ 间歇工作:总工作时间的10%;每次压力和/或转速工作不超过6s.

• 114型号后缀: 2500psi, 逆时针; 2250psi, 顺时针。(从轴端方向看旋转)

• 124型号后缀: 2500psi, 单向旋转

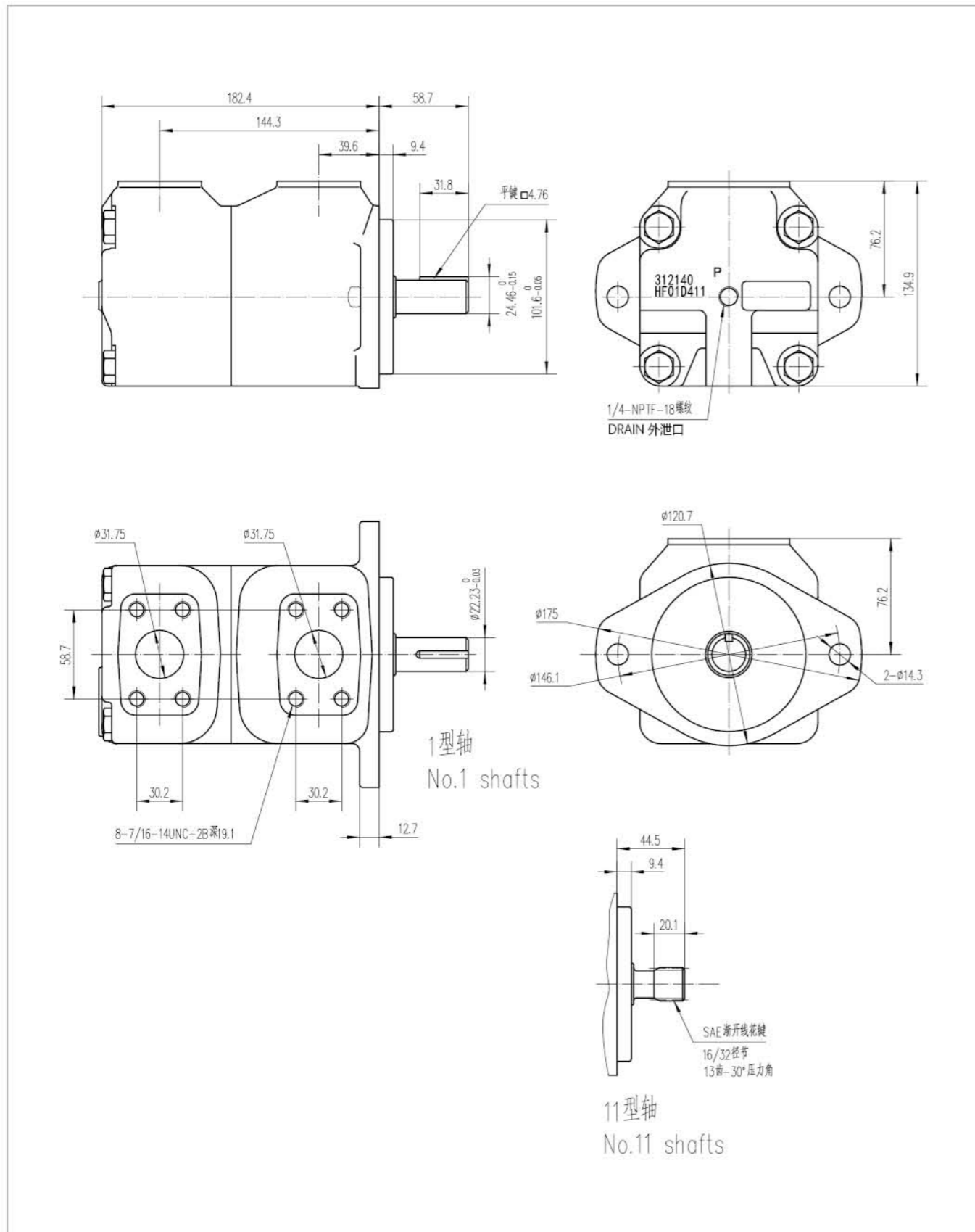
† Continuously working

‡ Intermittent work: 10% of the total working time, each pressure and or speed work does not exceed 6 seconds.

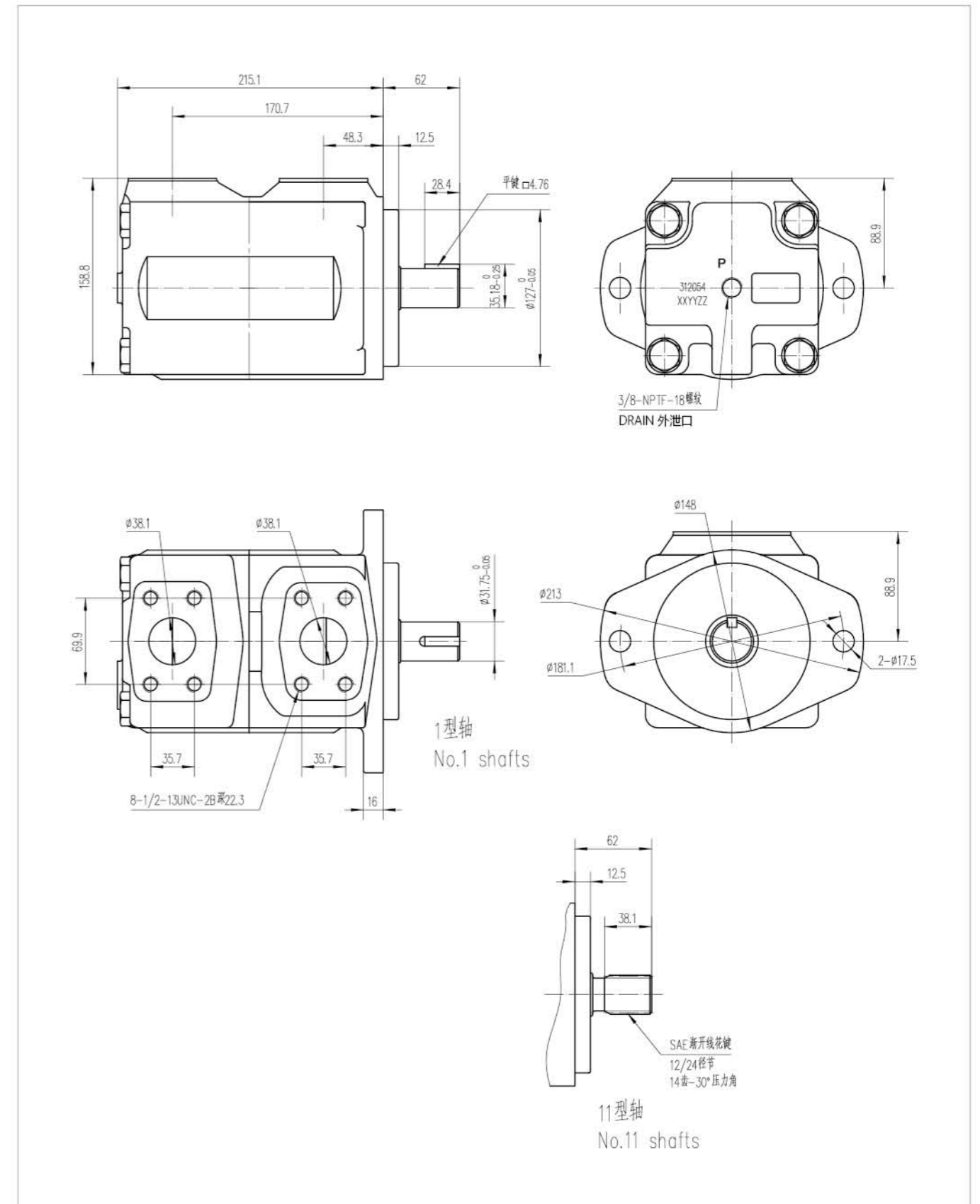
• 114 model: 2500psi, CCW; 2250psi, CW (see rotation from the shaft end)

• 124 model: 2500psi, one-way rotation

25M安装连接尺寸/Installation Dimensions

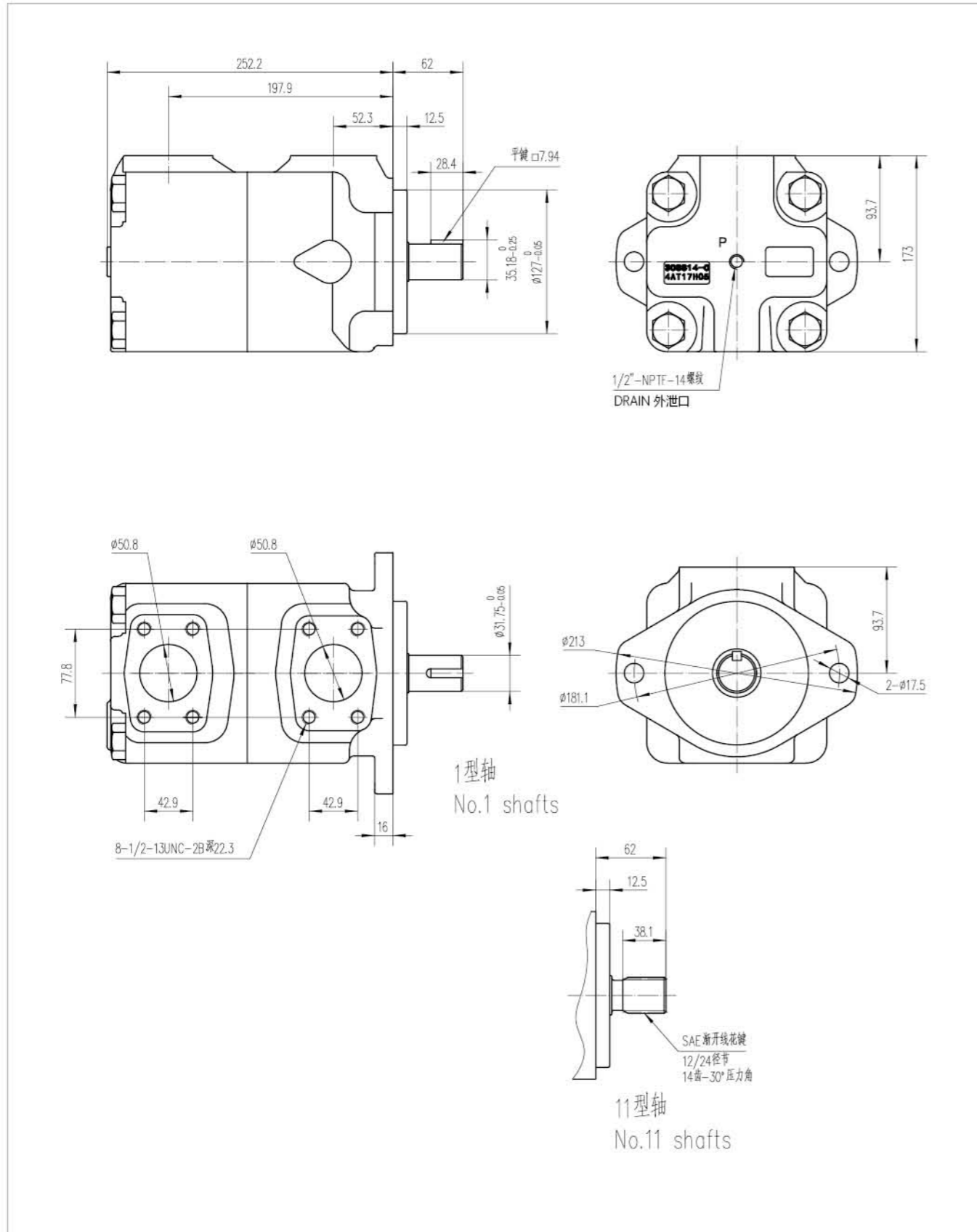


35M安装连接尺寸/Installation Dimensions





### 45M安装连接尺寸/Installation Dimensions



### 50M安装连接尺寸/Installation Dimensions

